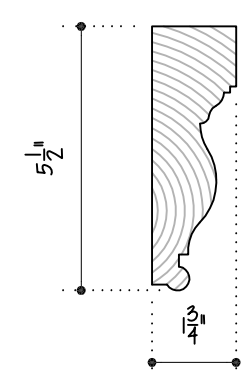
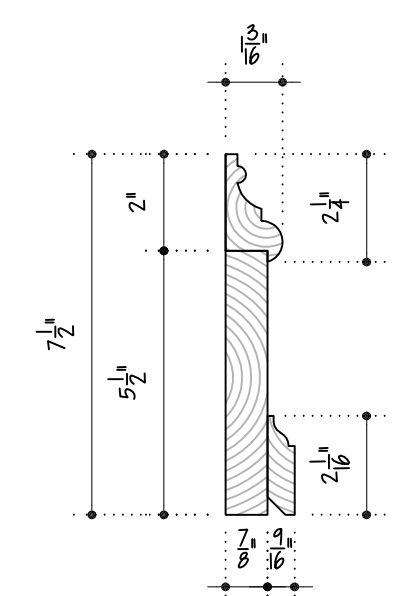


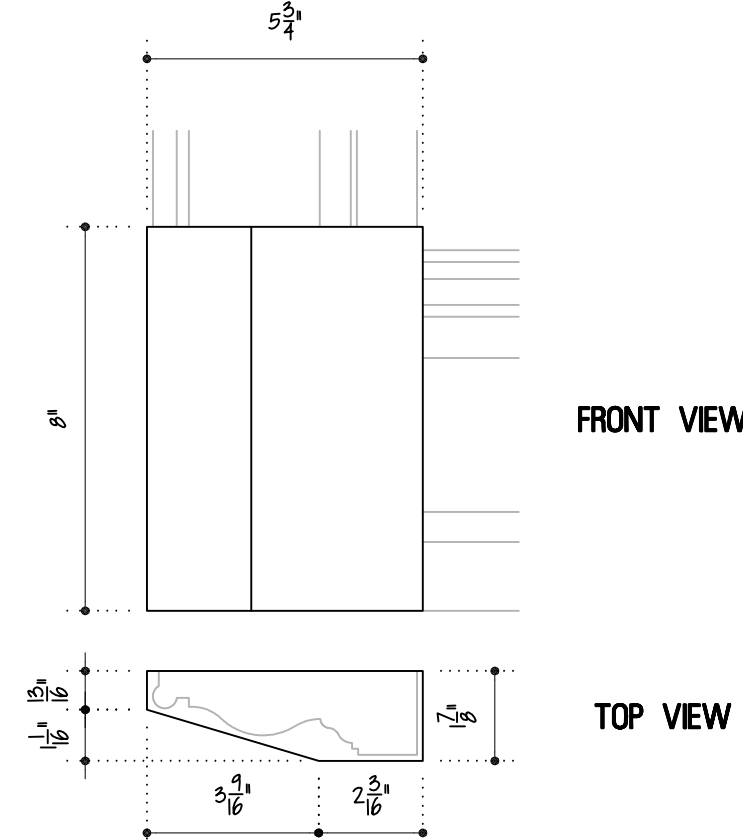
TYP. WINDOW SILL  
3/4" = 1'-0"



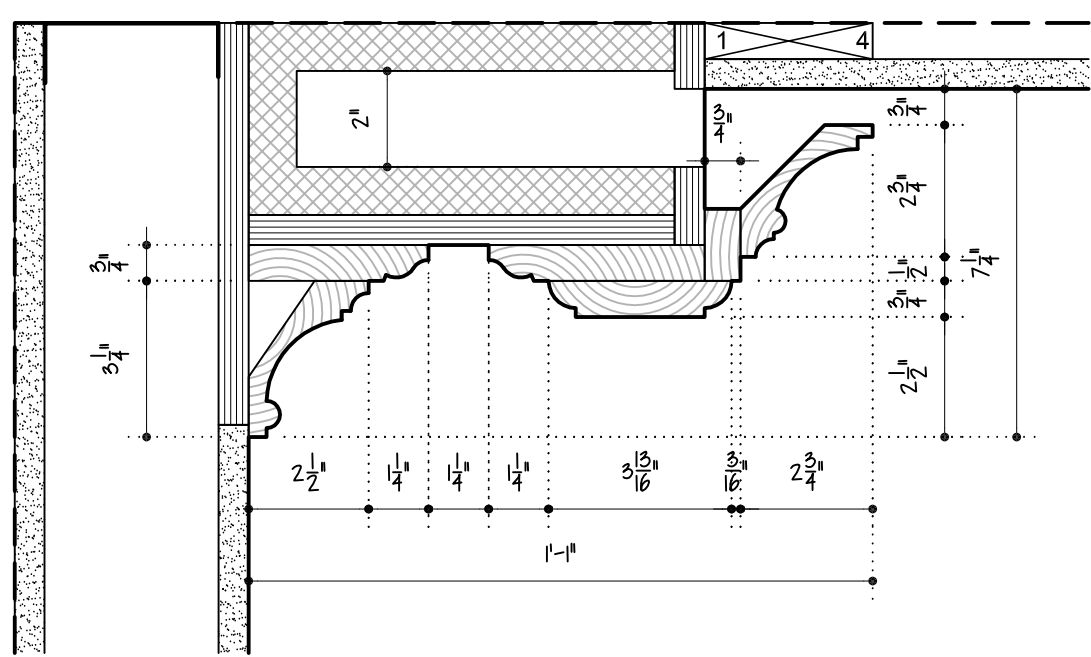
TYP. DOOR/WINDOW CASING  
3/4" = 1'-0"



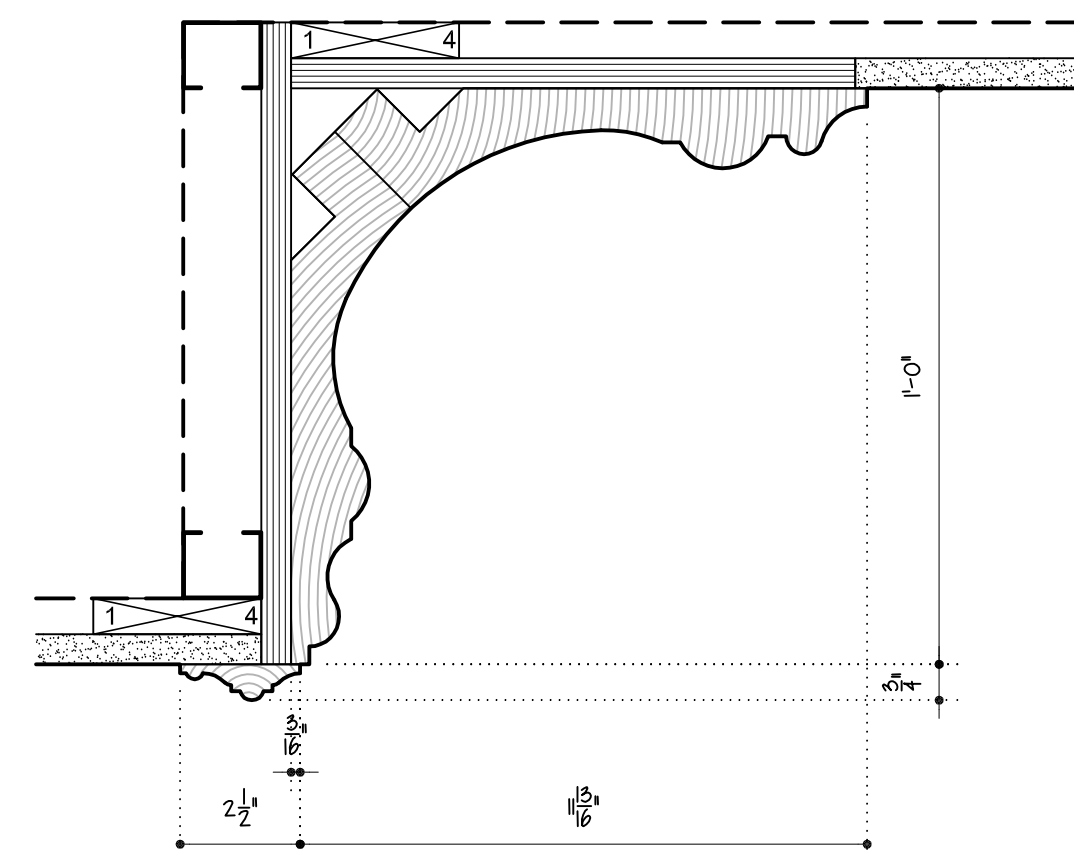
TYP. BASEBOARD  
3/4" = 1'-0"



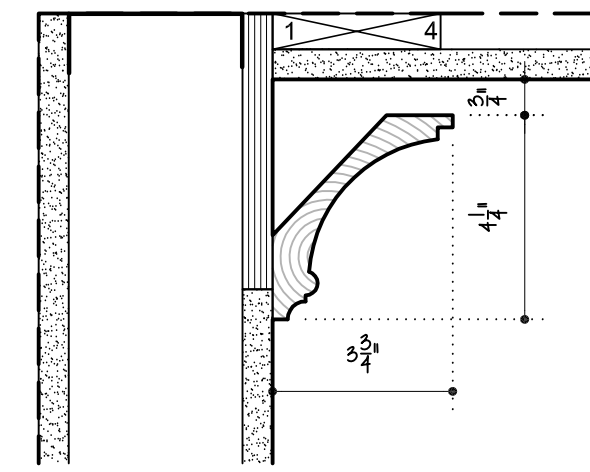
TYP. PLINTH BLOCK  
3/4" = 1'-0"



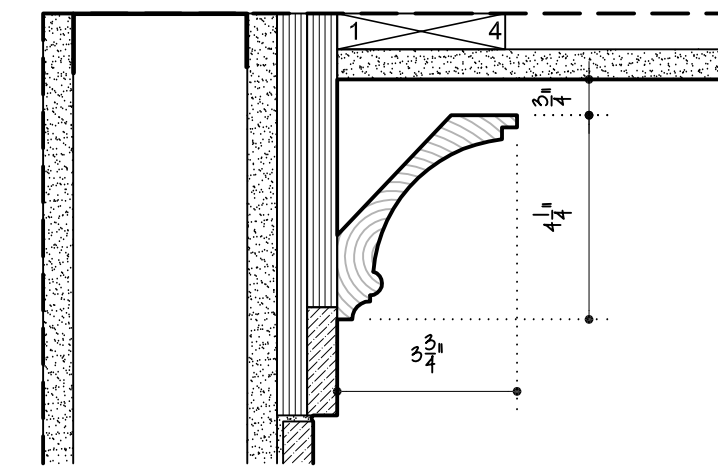
TYP. CROWN  
3/4" = 1'-0"



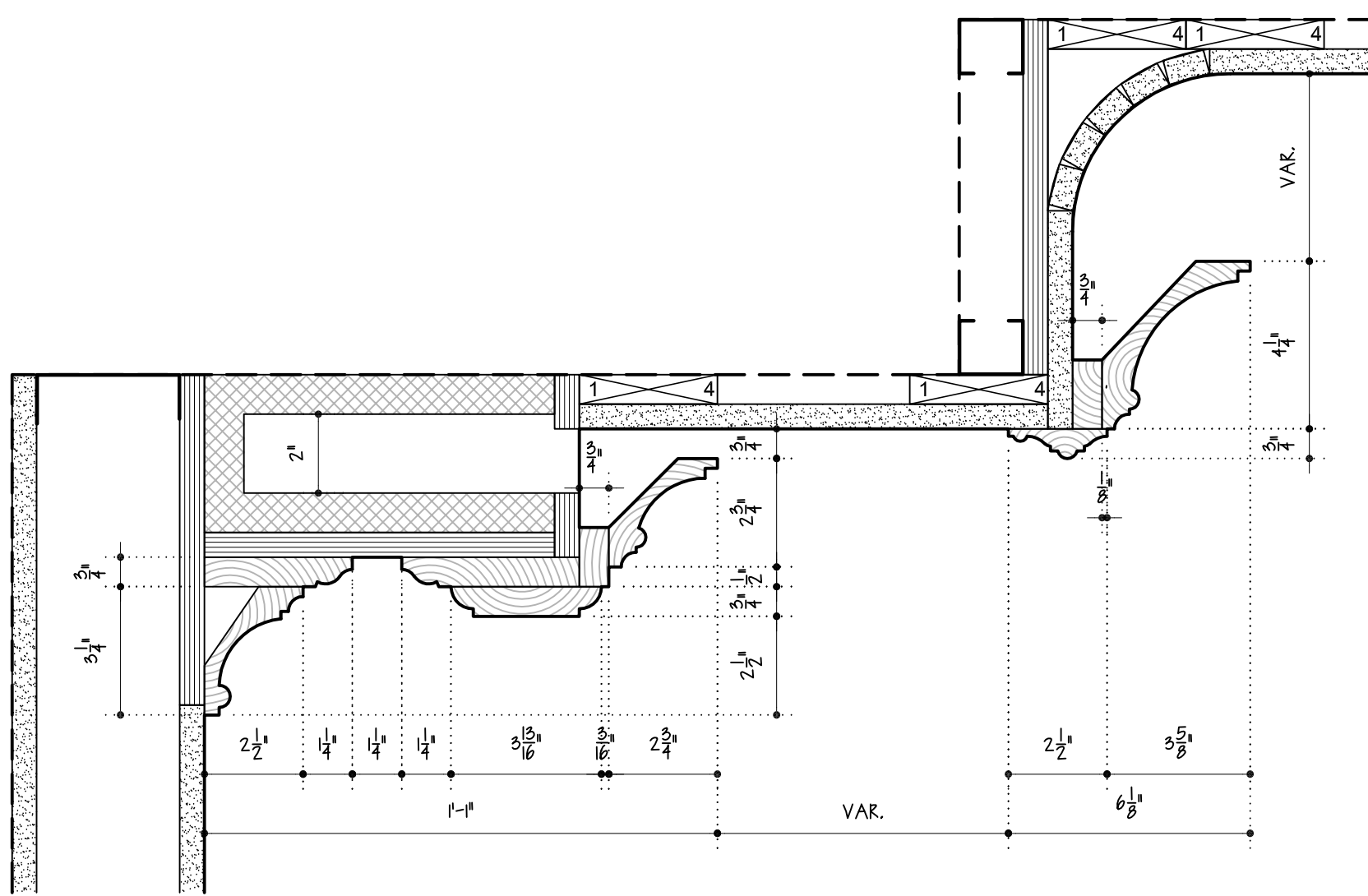
HIGH CROWN @ FORMAL LIVING  
3/4" = 1'-0"



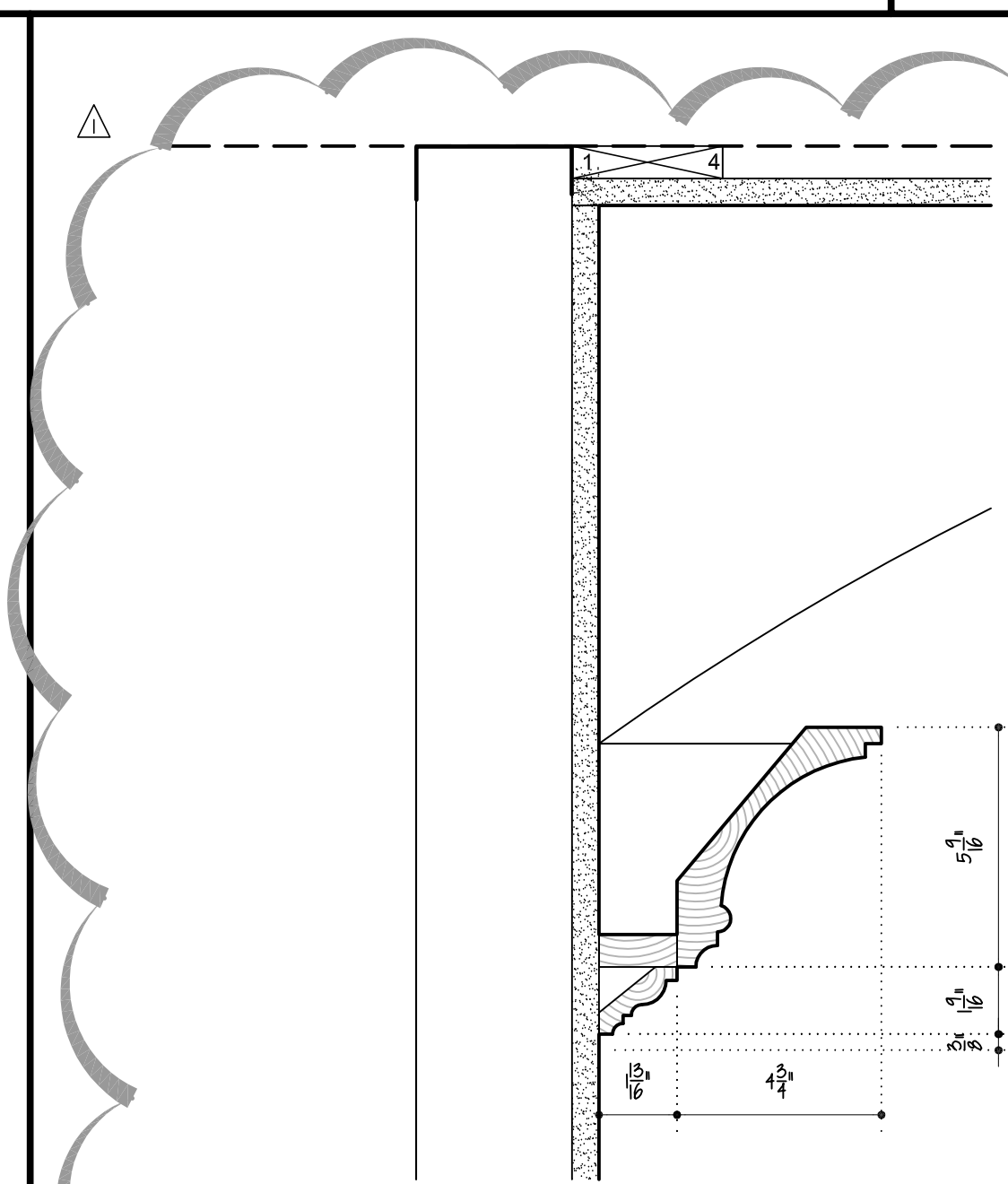
TYP. BATH CROWN  
3/4" = 1'-0"



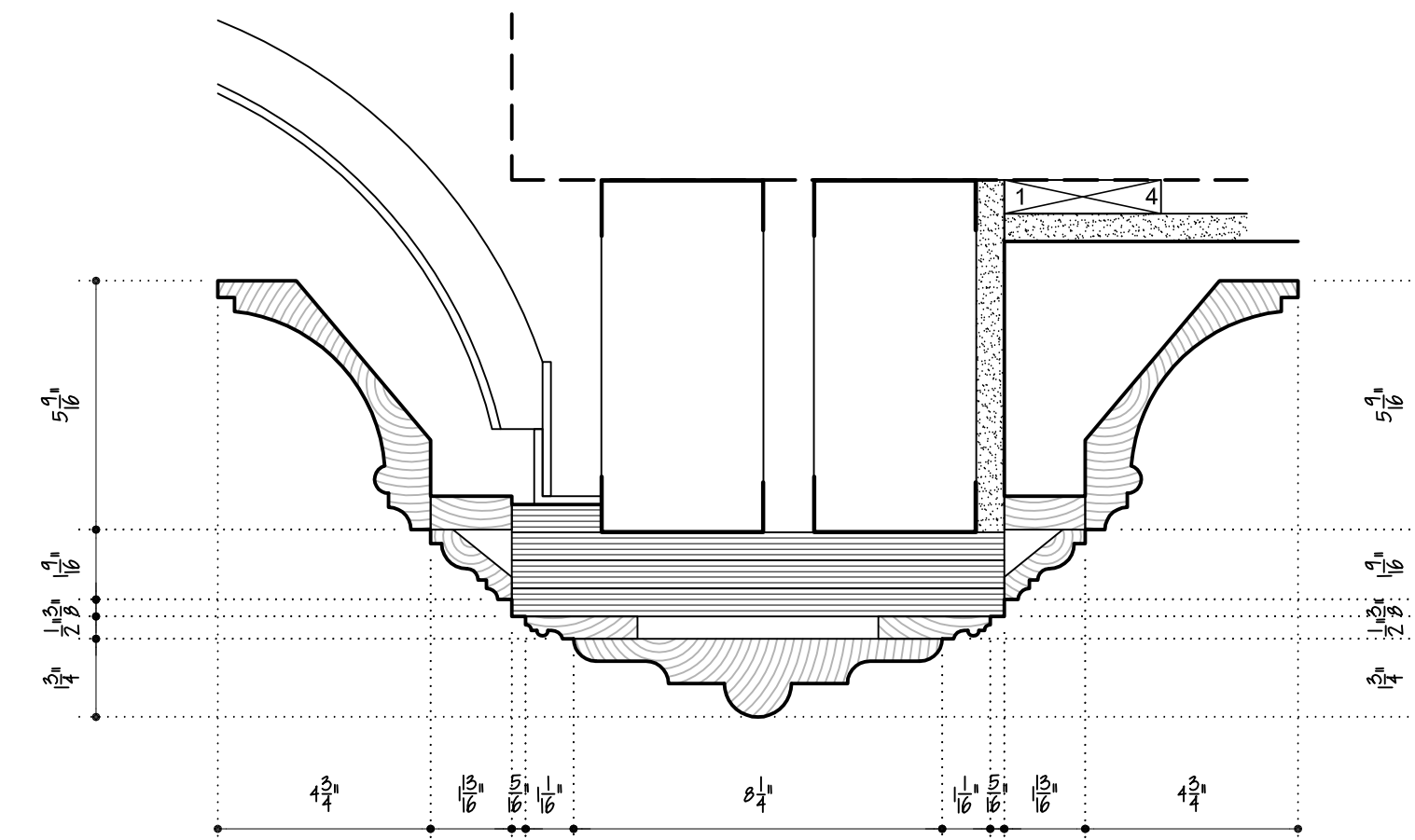
TYP. SHOWER CROWN  
3/4" = 1'-0"



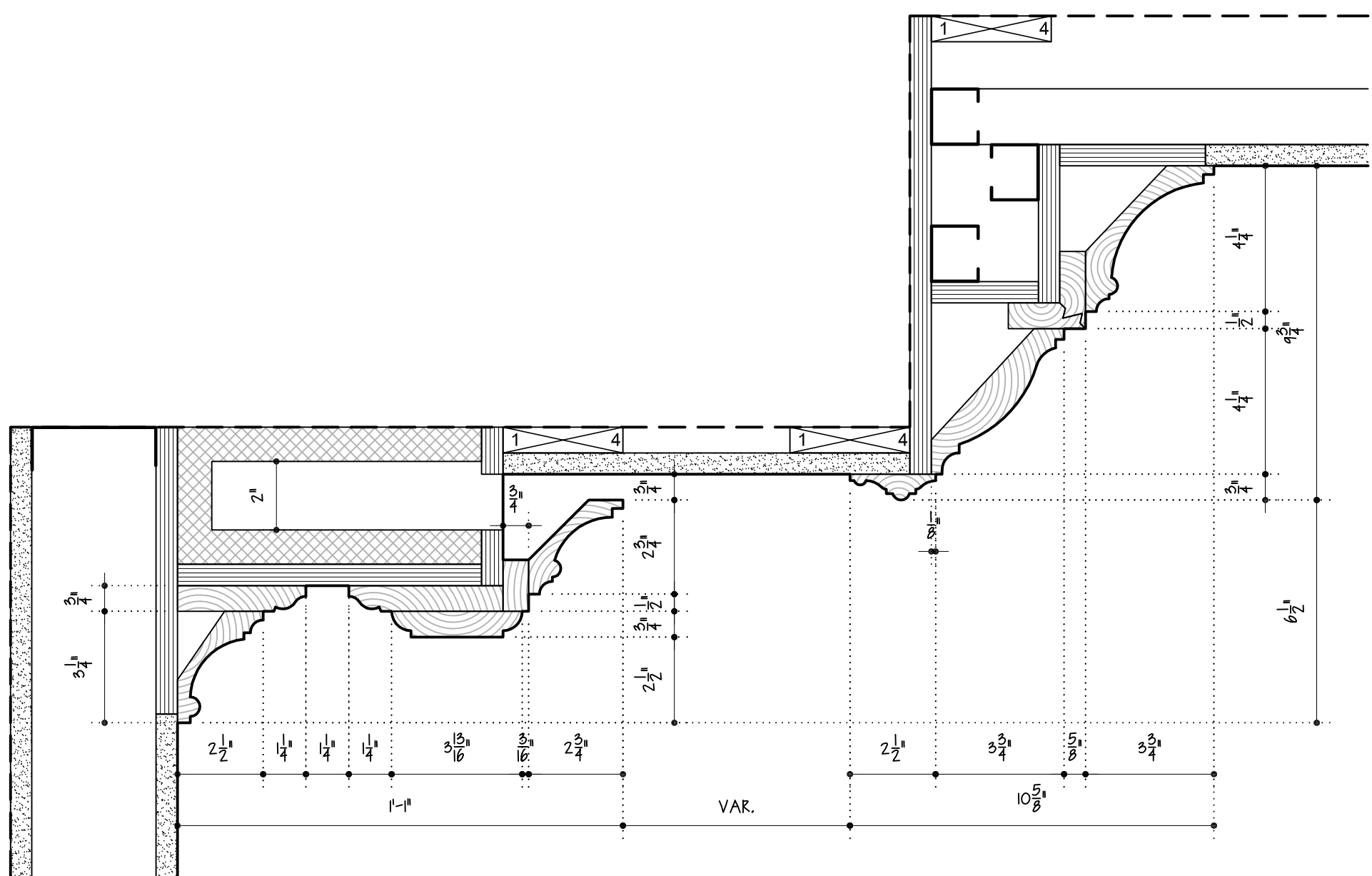
TYP. CROWN & COVES  
3/4" = 1'-0"



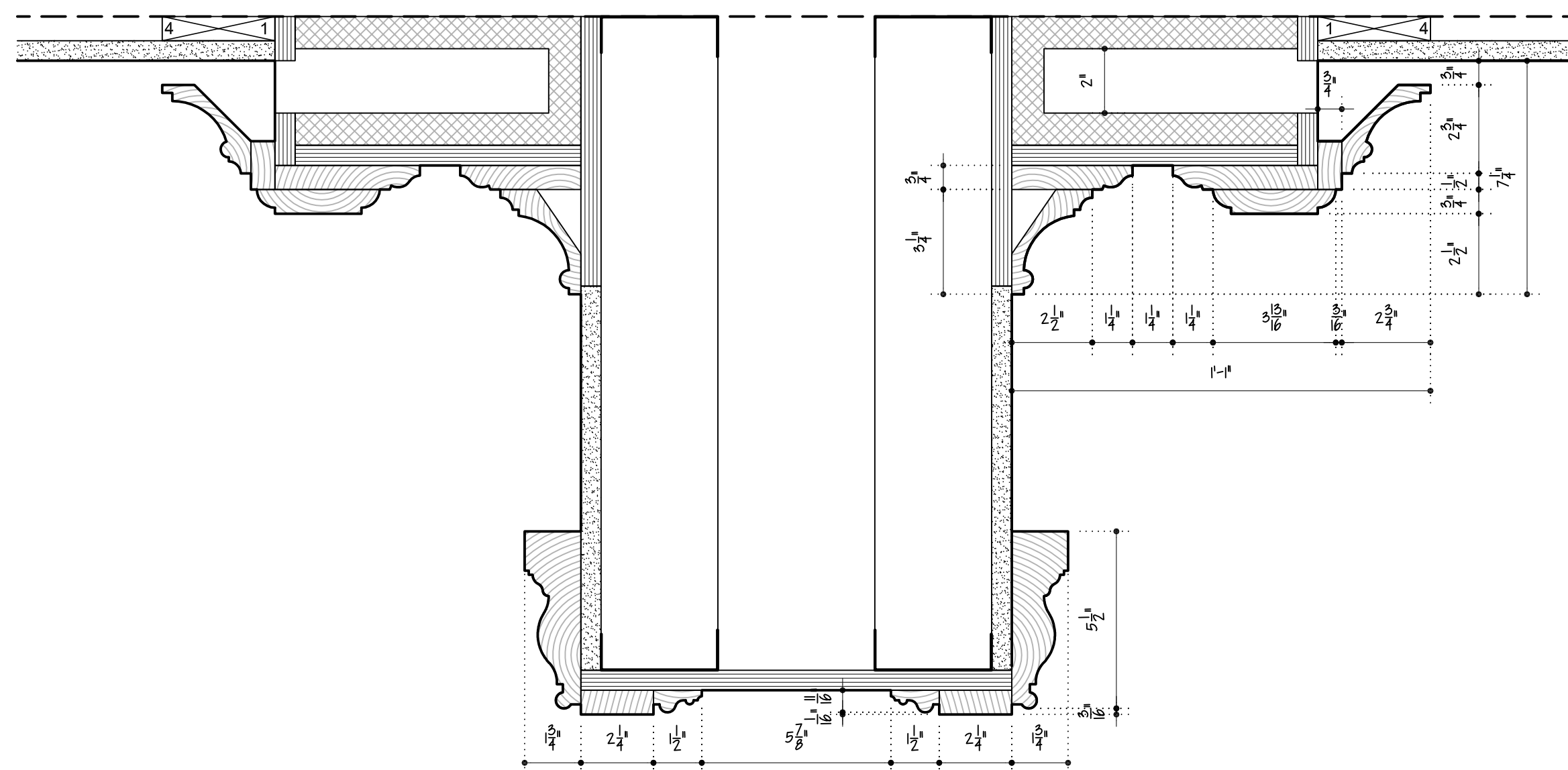
TYP. CROWN @ GALLERIES & VESTIBULES  
3/4" = 1'-0"



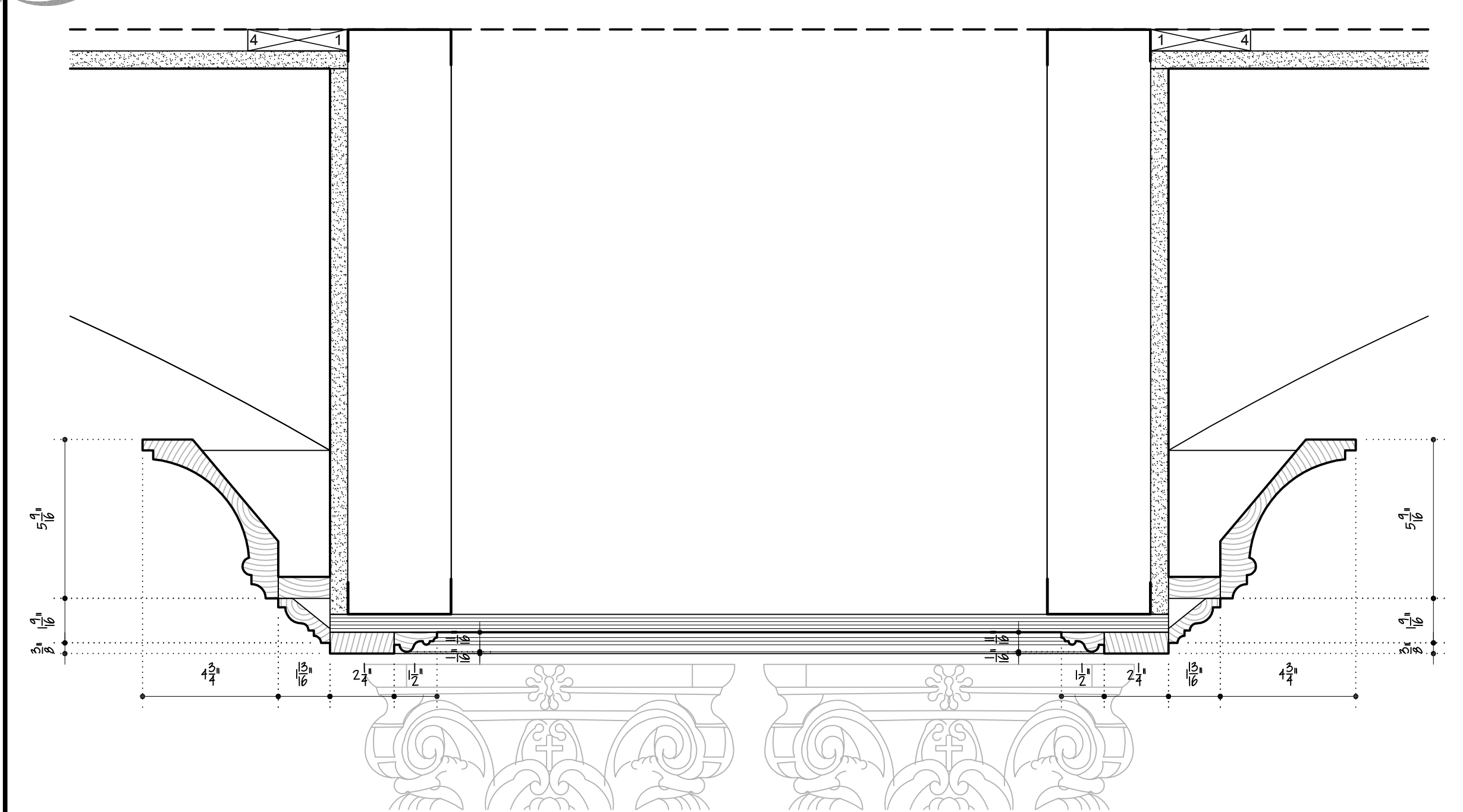
TYP. CROWN @ DOMED CEILING  
3/4" = 1'-0"



TYP. CROWN W/POP-UP  
3/4" = 1'-0"



TYP. CROWN @ PANELIZED OPENINGS  
3/4" = 1'-0"



TYP. CROWN @ MAIN COLONNADE GROIN VAULTS (PILLOW VAULT SIM.)  
3/4" = 1'-0"

DRAWING TITLE  
**Enlarged Sections & Details**  
Interior Trims  
Crowns, Baseboard, Casing & Sill

CLIENT:  
**The Williams Group, Inc.**  
PROJECT NAME:  
**Beasley Residence**

NO.	REVISIONS:	DATE:
	ISSUED FOR FIELD USE	07/18/15
	SEE CLOURED AREA	10/01/15

SCALE: **as shown**

SHEET NO.: **AA-1**